



WINCHES • RECOVERY GEAR • LOCKING HUBS

2024 PRODUCT CATALOG

MILE MARKER

Your home for durable off-roading gear. We specialize in powerful electric winches, our legendary hydraulic winches, and premium locking hubs.

When you need high quality, well-tested products for your truck, ATV or 4x4, you can count on Mile Marker and our team of professionals to help you out. We are an ISO certified organization and a TACOM approved supplier to the US Military.

OUR MISSION:

Mile Marker empowers a winning team that anticipates and fulfills the needs of our Military, Industrial, and Commercial customers by creating innovative solutions with superior value.



TABLE OF CONTENTS

- 1 PORTABLE ELECTRIC WINCH**
RHINO PULL 1000
- 3 FIELD KITS** 
FOR RHINO PULL 1000
- 4 ACCESSORY KITS**
FOR RHINO PULL 1000
- 5 ELECTRIC WINCHES**
JEEP/TRUCKS/SUV/BRONCOS
- 11 TRAILER & UTILITY WINCHES**
- 12 TERRY MADDEN SIGNATURE SERIES** 
- 13 POWERSPORT WINCHES**
- 15 HYDRAULIC WINCHES**
- 21 TOW WINCH**
- 23 RECOVERY GEAR**
- 25 SABER PRODUCTS** 
EXCLUSIVE NORTH AMERICAN DISTRIBUTORS
- 27 MOUNTING SYSTEMS**
- 31 WINCH ACCESSORIES**
- 33 TRANSFER CASE CONVERSION KITS**
- 35 PREMIUM LOCKING HUBS**
- 38 WARRANTY**

RHINO 1000 PULL

PORTABLE ELECTRIC WINCH™

71-1000



PORTABLE ELECTRIC WINCH

THE RIGHT TOOL FOR THE RIGHT JOB

- Pulls or lifts up to 1000 lbs.
- Wired and Wireless remote
- 39' Synthetic Rope
- 2.0Ah Rechargeable Lithium battery (Additional batteries available)



Industrial



Farm and Agriculture



Commercial - Shop - Garage



Hunting - Outdoors - Overlanding



• Available in 10 different colors

The Mile Marker Rhino Pull 1000 will give you the power to pull items anywhere you need to, from the garage, the workshop, the farm, and the field.

ADDITIONAL BENEFITS:

- Variable speed • Brushless motor • LED display • Wide range of accessories
- Available docking station charger • Available vehicle charger

Rated Line Pull	1000 lbs. (454 kg)
Battery Power Supply	24V DC
Synthetic Rope	5mm X 12 m
Battery	Lithium Battery
Battery Capacity	2.0Ah
Battery Charger Input	100-240V AC 50-60 Hz 75W
Battery Charger Output	30 V = 2000 mA
Dimensions	24" X 10" X 10.5" (610 mm X 256 mm X 267 mm)
Net Weight	16.8 LB (7.6 kg)
Part Number	71-1000



RHINO FIELD KIT

RHINO PULL 1000 PORTABLE ELECTRIC WINCH™



ALL YOUR ACCESSORIES IN ONE MILITARY-GRADE CASE

With the Rhino Field Kit, you can now take your Rhino Pull 1000 Portable Electric Winch™ with all its accessories and add-ons in one tough military-grade water and mud resistant case!

INCLUDES:

- IP67 Weatherproof Hard Case
- Rhino Pull 1000 Winch™
- Rhino Pull Batteries (2)
- Rhino Remote Control
- Remote Control Wire
- Wall Plug
- Docking Station
- 12V Vehicle Charger
- 1/4" Soft Shackles (2)
- Accessories Bag
- 1" x 4' Strap
- 1" x 8' Strap
- 3/8" Shackles (2)
- Snatch Block
- Premium Pair of Gloves



19-71002



ACCESSORY KITS

FOR RHINO PULL 1000

⚡ POWER KIT

19-71003

INCLUDES:

- Docking Station Charger
- Additional Wall Plug
- 12V Vehicle Charger
- Additional 2.0 Ah Lithium Battery



🔧 RECOVERY KIT

19-71001

INCLUDES:

- Snatch Block
- 1" x 4' Strap
- 1" x 8' Strap
- 3/8" Shackles (2)
- 1/4" Soft Shackles (2)
- Premium Pair of Gloves
- Accessories Bag



ELECTRIC WINCHES

JEEP/BRONCO/SUV/TRUCKS

MISSION SERIES

12V ELECTRIC WINCH

THE U.S. MILITARY HAS TRUSTED OUR WINCHES OVER THREE DECADES...

NOW YOU CAN TOO!

- Modern and customizable look (Available in OEM colors)
- Available in 8K, 10K, and 12K capacities
- Fully Submersible
- Automatic load holding/low friction brake
- Rugged heavy-duty solenoid
- 92' synthetic rope
- Aluminum hawse fairlead
- Military grade drum
- Wireless remote kit available
- Durable corrosion resistant stainless accents
- Solenoid pulls less Amps than competing brands to help protect your battery
- More consistent line-speed pull for a smooth & steady recovery



• Available in OEM colors



FULL SPECS

8K (78-53141)

10K (78-53246)

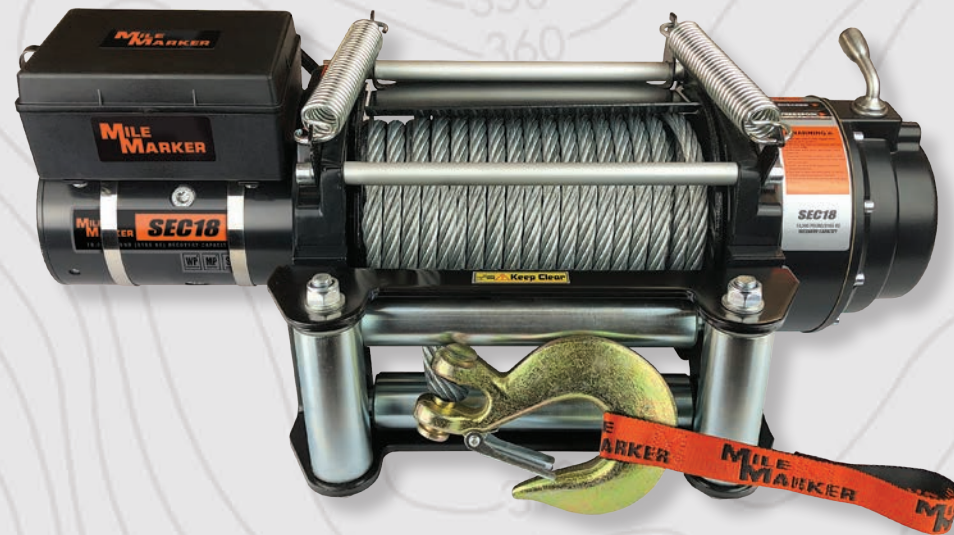
12K (78-53251)

	8K (78-53141)	10K (78-53246)	12K (78-53251)
Rated Line Pull	8000 lbs (3632 kg)	10000 lbs (4536 kg)	12000 lbs (5445 kg)
Gear Train	3 Stage planetary	3 Stage planetary	3 Stage planetary
Gear Ratio	210:1	210:1	294:1
Motor	Series wound, 4.7 hp (3.5 kw), 12 Volt, 24 Volt available	Series wound, 4.7 hp (3.5 kw), 12 Volt, 24 Volt available	Series wound, 4.7 hp (3.5 kw), 12 Volt, 24 Volt available
Remote	Power in, Power out with 12' cable (3.7 m)	Power in, Power out with 12' cable (3.7 m)	Power in, Power out with 12' cable (3.7 m)
Dimensions (LxWxH)	21.1" X 6.34" X 10.1" (535 mm X 161 mm X 255 mm)	21.1" X 6.34" X 10.1" (535 mm X 161 mm X 255 mm)	21.1" X 6.34" X 10.1" (535 mm X 161 mm X 255 mm)
Synthetic Rope	5/16" X 92' (7.9 mm X 28 m) (13,228 lb. breaking strength)	3/8" X 92' (9.53 mm X 28 m) (18,078 lb. breaking strength)	3/8" X 92' (9.53 mm X 28 m) (18,078 lb. breaking strength)
Drum Size Diameter X length	2.48" X 8.35" (63 mm X 212 mm), hardened	2.64" X 8.35" (67 mm X 212mm), hardened	2.64" X 8.35" (67 mm X 212 mm), hardened
Net Weight Synthetic Rope	57.3 lbs (25.9 kg)	57.8 lbs (26.2 kg)	57.8 lbs (26.2 kg)
Bolt Pattern	4 bolt pattern, 10" x 4.5" (254 mm X 114.3 mm)	4 bolt pattern, 10" x 4.5" (254 mm X 114.3 mm)	4 bolt pattern, 10" x 4.5" (254 mm X 114.3 mm)

SEC18

STRONGEST ELECTRIC WINCH

The SEC18 pulls 18,000 pounds of recovery power. This industrial grade winch is perfect for your tow truck, fire truck, utility vehicle, or industrial application. Our SEC18 is lightweight for its strength and features fast line speeds.



77-50280W

FEATURES:

- 7.7 HP Series Wound Motor
- Rugged Planetary Gear Sets
- Clockable Gear Housing
- Fast Line Speeds
- Submersible, 400 Amp Solenoid
- Automatic Load Holding Brake
- Corrosion Resistant Stainless Steel Fasteners
- 79' Steel Cable
- Roller Fairlead
- Waterproof
- Handheld Remote Control

SPECIFICATIONS (18K):

Rated Line Pull	18000 lbs. (8164 kg)
Gear Train	3 Stage planetary
Gear Ratio	315:1
Motor	12 Volt DC, input power 7.7 hp (5.6 kw) 24 Volt available
Remote	Power in, Power out with 12' cable (3.7 m)
Dimensions (LxWxH)	26" X 8.5" X 8.5" (660 mm X 216 mm X 216 mm) 24.11" X 8.5" X 8.5" (612 mm X 216 mm X 216 mm)
Steel Cable	1/2" X 79' (12.7 mm X 24 m) (19,505 lb. breaking strength)
Drum Size	4" X 10" (101.6 mm X 254 mm)
Diameter x Length	4" X 7.75" (101.6 mm X 197 mm)
Flange Diameter	9" (228.6 mm)
Net Weight	154 lb. (69.8 kg)
Bolt Pattern	8 bolt pattern Outer 6.5" X 12" (165 mm X 304.8 mm) Inner 4.5" X 12" (114.3 mm X 304.8 mm) Outer 6.5" X 10" (165 mm X 254 mm) Inner 4.5" X 10" (114.3 mm X 254 mm)

PERFORMANCE (18K):

Line Pull	Line Pull		Line Speed		Motor Current
	lb	kg	fpm	mpm	amps @ 12 V
0	0	0	23.6	7.2	68
6000	2724	10.2	3.1	235	
8000	3632	9.2	2.8	282	
10000	4540	4.9	1.5	310	
12000	5448	3.9	1.2	378	
15000	6810	3.3	1	420	
18000	8172	2.6	0.8	469	

SEC15

BIG WINCH POWER, SMALL WINCH WEIGHT

Our 15,000 pound winch packs heavy duty power. The light, compact design mounts easily to a full size truck or Jeep. Each SEC15 includes a 15' recovery strap for longer pulls.



Steel Cable

76-50260W

FEATURES:

- 6.8 HP Series Wound Motor
- Rugged Planetary Gear Sets
- Clockable Gear Housing
- Fast Line Speeds
- Submersible, 400 Amp Solenoid
- Automatic Load Holding Brake
- Corrosion Resistant Stainless Steel Fasteners
- 79' Steel Cable or 72' Synthetic Rope
- Aluminum Hawse or Roller Fairlead
- Waterproof
- Handheld Remote Control
- Includes 15' Recovery Strap



Synthetic Rope

76-53260W

SPECIFICATIONS (15K):

Rated Line Pull	15000 lbs (6803 kgs)
Gear Train	3 Stage planetary
Gear Ratio	294:1
Motor	Series wound, 6.8 hp (5 kw), 12 Volt 24 Volt available
Remote	Power in, Power out with 12' cable (3.7 m)
Dimensions (LxWxH)	22" X 6.3" X 8.3" (558 mm X 160 mm X 211 mm)
Steel Cable	25/64" X 79' (10 mm X 24 m) (16,409 lb. breaking strength)
Synthetic Rope	25/64" X 72' (10 mm X 22 m) (18,078 lb. breaking strength)
Drum Size	2.9" X 8.9" (74 mm X 226 mm)
Diameter x Length	
Net Weight Synthetic Rope	63 lbs (28.6 kgs)
Net Weight Steel Cable	85 lbs (38.5 kgs)
Bolt Pattern	4 bolt pattern, 4.5" x 10" (114.3 mm X 254 mm)

PERFORMANCE (15K):

Line Pull	Line Pull		Line Speed		Motor Current
	lb	kg	fpm	mpm	amps @ 12 V
0	0	16.7	5	120	
4000	1816	12	3.7	202	
6000	2724	10.5	3.2	225	
8000	3632	9.2	2.8	250	
10000	4540	7.9	2.4	310	
12000	5448	6.6	2	355	
15000	6810	5.9	1.8	420	



LIGHTEST, MOST COMPACT 15K WINCH IN THE INDUSTRY



INCLUDES 15' RECOVERY STRAP

SEC12 & SEC95

PROVEN WINCH DESIGN, UNMATCHED VALUE

Heavy duty series wound motors and rugged planetary gear sets are the backbone of Mile Marker. With robust controls and a fully sealed solenoid and body, the SEC12 and SEC95 are proven winches at an unmatched value.



*Steel Cable 76-50251BW
Synthetic Rope 76-53251BW



*Steel Cable 76-50246BW
Synthetic Rope 76-53246BW

SPECIFICATIONS (12K):

Rated Line Pull	12000 lbs (5443 kg)
Gear Train	3 Stage planetary
Gear Ratio	294:1
Motor	Series wound, 4.9 hp (3.6 kw), 12 Volt, 24 Volt available
Remote	Power in, Power out with 12' cable (3.7 m)
Dimensions (LxWxH)	20.8" X 6.3" X 7.8" (528 mm X 160 mm X 198 mm)
Steel Cable	3/8" X 100' (9.5 mm X 30.5 m) (14,400 lb. breaking strength)
Synthetic Rope	3/8" X 92' (9.5 mm X 28 m) (18,078 lb. breaking strength)
Drum Size Diameter X Length	2.64" X 8.35" (67 mm X 212 mm)
Net Weight Synthetic Rope	48 lbs (21.8 kg)
Net Weight Steel Cable	67 lbs (30.4 kg)
Bolt Pattern	4 bolt pattern, 4.5" x 10" (114.3 mm X 254 mm)

PERFORMANCE (12K):

Line Pull	Line Speed	Motor Current		
lb	kg	fpm	mpm	amps @ 12 V
0	0	16.4	5	85
4000	1816	8.8	2.7	160
6000	2724	7.5	2.3	191
8000	3632	6.7	2	235
10000	4540	5.6	1.7	270
12000	5448	4.9	1.5	320

SPECIFICATIONS (9.5K):

Rated Line Pull	9500 lbs (4309 kg)
Gear Train	3 Stage planetary
Gear Ratio	210:1
Motor	Series wound, 4.9 hp (3.6 kw), 12 Volt, 24 Volt available
Remote	Power in, Power out with 12' cable (3.7 m)
Dimensions (LxWxH)	20.8" X 6.3" X 7.8" (528 mm X 160 mm X 198 mm)
Steel Cable	3/8" X 100' (9.5 mm X 30.5 m) (14,400 lb. breaking strength)
Synthetic Rope	3/8" X 92' (9.5 mm X 28 m) (18,078 lb. breaking strength)
Drum Size Diameter X Length	2.64" X 8.7" (67 mm X 221 mm)
Net Weight Synthetic Rope	48 lbs (21.8 kg)
Net Weight Steel Cable	67 lbs (30.4 kg)
Bolt Pattern	4 bolt pattern, 4.5" x 10" (114.3 mm X 254 mm)

PERFORMANCE (9.5K):

Line Pull	Line Speed	Motor Current		
lb	kg	fpm	mpm	amps @ 12 V
0	0	21	6.4	86
2000	908	11	3.4	150
4000	1816	8.8	2.7	205
6000	2724	7.5	2.3	235
8000	3632	6	1.8	252
9500	4313	4.3	1.3	330

FEATURES:

- 4.9 HP Series Wound Motor
- Rugged Planetary Gear Sets
- Clockable Gear Housing
- Fast Line Speeds
- Submersible, 400 Amp Solenoid
- Automatic Load Holding Brake
- Corrosion Resistant Stainless Steel Fasteners
- 100' Steel Cable or 92' Synthetic Rope
- Aluminum Hawse or Roller Fairlead
- Waterproof
- Handheld Remote Control

SEC8

WORKING RANGE PERFORMANCE

The SEC8 is light and affordable for the smaller off road vehicles. With robust controls and a fully sealed solenoid and body, Mile Marker redefines performance in the 8,000 pound winch class.



Steel Cable 77-50141W



Synthetic Rope 77-53141W

SPECIFICATIONS (8K):

Rated Line Pull	8000 lbs (3629 kg)
Gear Train	3 Stage planetary
Gear Ratio	150:1
Motor	Series wound, 4.9 hp (3.6 kw), 12 V 24 Volt available
Remote	Power in, Power out with 12' cable (3.7 m)
Dimensions (LxWxH)	20.8" X 6.3" X 7.8" (528 mm X 160 mm X 198 mm)
Steel Cable	5/16" X 100' (7.9 mm X 30.5 m) (9,800 lb. breaking strength)
Synthetic Rope	5/16" X 92' (7.9 mm X 28 m) (13,228 lb. breaking strength)
Drum Size Diameter X Length	2.5" X 8.3" (63 mm X 211 mm)
Net Weight Synthetic Rope	49 lbs (22 kg)
Net Weight Steel Cable	63 lbs (28.6 kg)
Bolt Pattern	4 bolt pattern, 4.5" x 10" (114.3 mm X 254 mm)

FEATURES:

- 4.9 HP Series Wound Motor
- Rugged Planetary Gear Sets
- Clockable Gear Housing
- Fast Line Speeds
- Submersible, 400 Amp Solenoid
- Automatic Load Holding Brake
- Corrosion Resistant Stainless Steel Fasteners
- 100' Steel Cable or 92' Synthetic Rope
- Aluminum Hawse or Roller Fairlead
- Waterproof
- Handheld Remote Control

PERFORMANCE: (8K)

Line Pull	Line Speed		Motor Current		
	lb	kg	fpm	mpm	amps @ 12 V
0	0	0	38.1	11.6	70
2000	908	14.1	4.3	136	
4000	1816	12.5	3.8	198	
6000	2724	9.8	3	264	
8000	3632	8.2	2.5	284	



TRAILER & UTILITY WINCHES

COMPACT SIZE, POWERFUL PULL

The SEC4500 defines fast line speeds and low amperage draw for your large side by side or UTV. The 2000 lb. utility winches features a wireless remote control and a high output motor.



76-50115BW

FEATURES (4.5K):

- 3.7 HP Series Wound Motor
- Rugged Planetary Gear Sets
- Clockable Gear Housing
- Fast Line Speeds
- Submersible, 250 Amp Solenoid
- Automatic Load Holding Brake
- Corrosion Resistant Stainless Steel Fasteners

- 79' Steel Cable
- Roller Fairlead
- Waterproof
- Handheld Remote Control
- Includes Tow Strap
- Includes Mounting Plate

SPECIFICATIONS (4.5K):

Rated Line Pull	4500 lbs (2041 kg)
Gear Train	3 Stage planetary
Gear Ratio	150:1
Motor	Series wound, 4.9 hp (3.6 kw), 12 Volt, 24 Volt available
Remote	Power in, Power out with 12' cable (3.7 m)
Dimensions (LxWxH)	17.3" X 6.3" X 7.8" (440 mm X 161 mm X 200 mm)
Steel Cable	1/4" X 79' (6.3 mm X 24 m) (7,000 lb. breaking strength)
Drum Size Diameter X Length	2.5" X 5.5" (63 mm X 140 mm)
Net Weight Steel Cable	49 lbs (23 kg) (with mounting plate)
Bolt Pattern	4 bolt pattern 6.5" X 4.5" (165.9 mm X 114.3 mm)

PERFORMANCE (4.5K):

Line Pull	Line Speed	Motor Current		
lb	kg	fpm	mpm	amps @ 12 V
0	0	38.1	11.6	70
1500	681	17.1	5.2	125
3000	1362	14.1	4.3	160
4500	2043	11.8	3.6	205

ONE OF THE MOST POWERFUL MOTORS ON THE MARKET!



76-50200

FEATURES (2K):

- High Output Motor
- All Metal Planetary Gearing
- Fast Line Speeds
- Automatic Load Holding Dynamic Brake

- 50' Steel Cable
- Roller Fairlead
- Free Spooling
- Wireless Remote Control

SPECIFICATIONS (2K):

Rated Line Pull	2000 lbs (907 kg)
Gear Train	2 Stage planetary
Gear Ratio	163:1
Motor	Permanent Magnet 12 Volt 1.9 hp (1.4 kw)
Remote	Wireless remote control
Dimensions (LxWxH)	11.2" X 4.5" X 4.2" (285.5 mm X 113 mm X 107.5 mm)
Steel Cable	5/32" X 50' (4 mm X 15.2 m)
Drum Size Diameter X Length	1.2" X 2.8" (32 mm X 72 mm)
Net Weight	16 lb. (7.2 kg)
Bolt Pattern	2 bolt pattern 1.8" X 3" (48 mm X 76 mm)

PERFORMANCE (2K):

Line Pull	Line Speed	Motor Current		
lb	kg	fpm	mpm	amps @ 12 V
0	0	14.0	4.3	14
1000	454	9.0	2.7	60
1500	680	7.5	2.3	90
2000	908	5.9	1.8	115



COMBAT PROVEN. CUSTOMER DRIVEN.

TERRY MADDEN SIGNATURE SERIES



Introducing the TM-10K

10,000 LBS. POWERSPORT SXS CAPACITY WINCH



- 4.9 HP Series Wound Motor
- Dash Mount Switch
- All Metal Planetary Gearing
- Submersible (IP67 rating)
- 400 Amp Solenoid
- Automatic Load Holding Brake
- Fast Line Speed
- 50' of Synthetic Rope
- Aluminum Hawse Fairlead
- Competition Racing Proven

SPECIFICATIONS:

Rated Line Pull	10,000 lbs. (4,536 kgs.) single line
Gear Ratio	210:1
Motor	12 Volt DC, input power 4.9 HP
Dimensions (LxWxH)	16.8" x 6.3" x 7.8"
Synthetic Rope	3/8" x 50'
Drum Size Diameter/Length	2.64" x 4.31"
Net Weight	53 lbs.
Bolt Pattern	4 bolt pattern, 4.5" x 6"



POWERSPORTS WINCHES

PE5000

PACK THE POWER

The PE5000 slams raw power into a lightweight, compact design for your ATV/UTV. Metal planetary gear systems and a fully waterproof solenoid lets you winch wherever you ride.

SPECIFICATIONS (5K):

Rated Line Pull	5000 lbs (2267.9 kg)
Gear Train	3 Stage planetary
Gear Ratio	165:1
Motor	12 Volt DC, input power 3.8hp 24 Volt available
Remote	Power in, Power out with 12' cable (3.7 m)
Winch Dimensions (LxWxH)	15.6" X 4.6" X 4.7" (397 mm X 117 mm X 119.8 mm)
Steel Cable	1/4" X 79' (6.3 mm X 24 m) (5,600 lb. breaking strength)
Synthetic Rope	1/4" X 50' (6.3 mm X 15.2 m) (5,071 lb. breaking strength)
Drum Size Diameter X Length	2" X 5.4" (51 mm X 137.5 mm)
Net Weight Synthetic Rope	19.5 lbs (8.6 kg)
Net Weight Steel Cable	23.7 lbs (10.8 kg)
Bolt Pattern	4 bolt pattern 3" X 6.6" (76 mm X 168 mm)

FEATURES:

- 3.8 HP Permanent Magnet Motor
- All Metal Planetary Gearing
- Submersible, 250 Amp Solenoid
- Automatic Load Holding Brake
- Center Focused Drum
- Fast Line Speeds
- 79' Steel Cable or 50' Synthetic Rope
- Aluminum Hawse or Roller Fairlead
- Waterproof
- Handheld Remote Control

PERFORMANCE (5K):

Line Pull		Line Speed 12V		Motor Current 12V
lbs	kgs	fpm	mpm	amp
0	0	20.7	6.3	34
2000	908	15.1	4.6	135
3000	1362	11.5	4	155
4000	1816	10.5	3.2	210
5000	2270	9.2	2.8	250



Steel Cable
77-50120W



Synthetic Rope
77-53120W

PE3.5 & PE2.5



PE3.5 Steel Cable
77-50112BW



PE3.5 Synthetic Rope
77-53112BW



PE2.5 Steel Cable
77-50105BW

FEATURES:

- 2.4 HP Permanent Magnet Motor
- All Metal Planetary Gearing
- Submersible, 200 Amp Solenoid
- Automatic Load Holding Brake
- Center Focused Drum
- Fast Line Speeds
- 42' Steel Cable or 50' Synthetic Rope
- Aluminum Hawse or Roller Fairlead
- Waterproof
- Handheld and Handlebar Controls

SPECIFICATIONS:

Rated Line Pull	PE3.5	3500 lbs (1589 kg)
Rated Line Pull	PE2.5	2500 lbs (1135 kg)
Gear Train	All	2 Stage planetary
Gear Ratio	ALL	242:1
Motor	PE3.5	2.4 hp (1.8 kw), 12 V DC
Motor	PE2.5	2.4 hp (1.8 kw)
Remote	All	Power in, Power out with 12' cable (3.7 m)
Dimensions (LxWxH)	PE3.5	13.5" X 4.5" X 4.3" (344 mm X 116 mm X 108 mm)
Dimensions (LxWxH)	PE2.5	13.2" X 4.6" X 4.3" (334 mm X 116 mm X 108 mm)
Steel Cable	PE3.5	7/32" X 42' (5.5 mm X 12.7 m) (5,600 lb. breaking strength)
Steel Cable	PE2.5	3/16" X 42' (4.7 mm X 12.7 m) (5,600 lb. breaking strength)
Synthetic Rope	PE3.5	7/32" X 50' (5.5 mm X 15.2 m) (5,071 lb. breaking strength)
Drum Size Diameter X Length	ALL	2" X 3.1" (50 mm X 80 mm)
Net Weight Steel Cable	PE3.5	17.3 lbs (7.8 kg)
Net Weight Steel Cable	PE2.5	15.1 lbs (6.8 kg)
Net Weight Synthetic rope	PE3.5	14.3 lbs (6.4 kg)
Bolt Pattern	All	4 Bolt pattern, 4.8" X 3" (124 mm X 76 mm)

PERFORMANCE: PE3.5

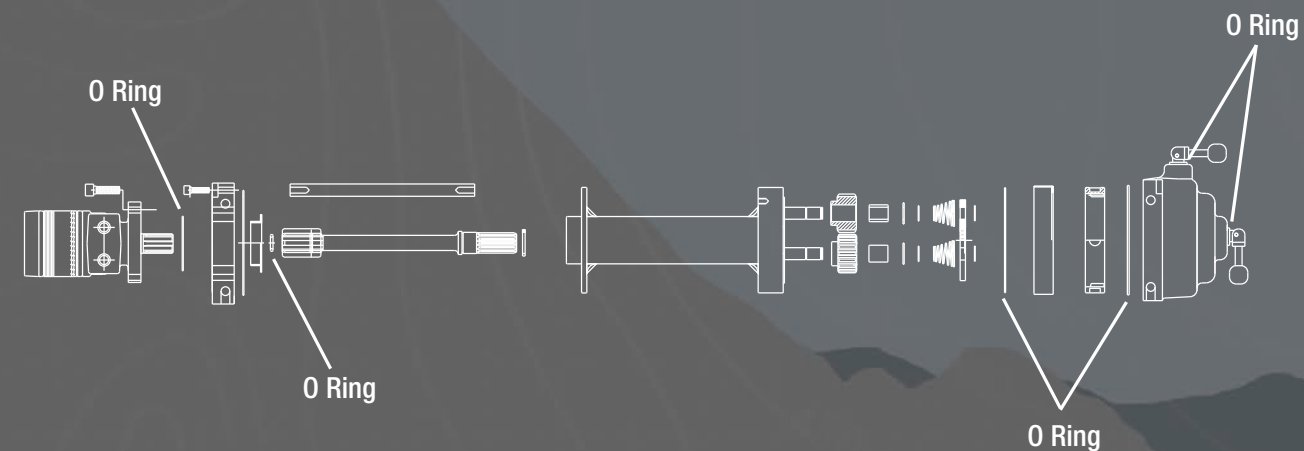
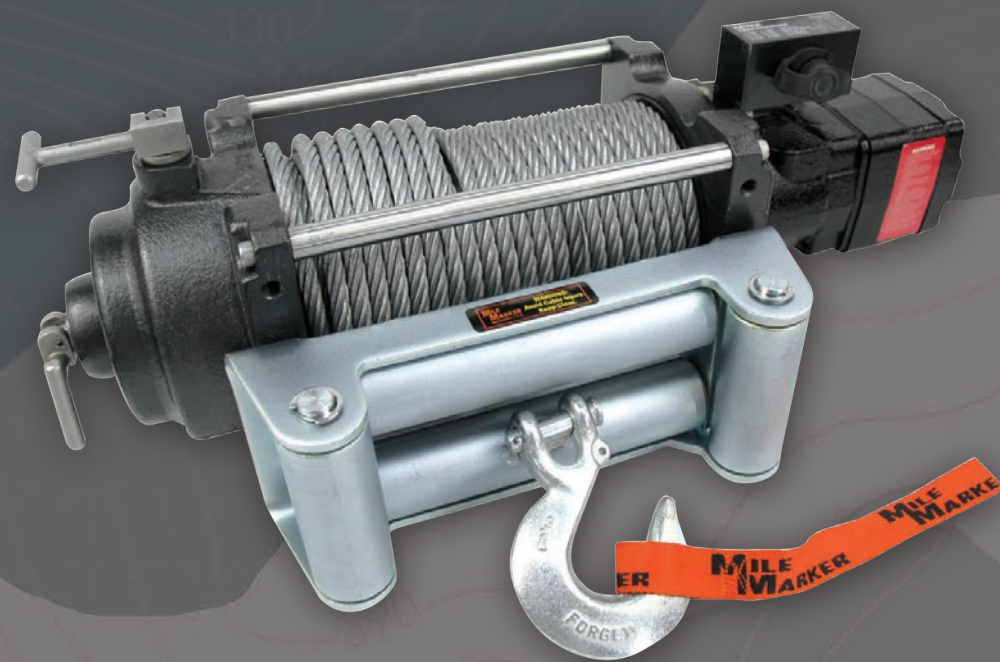
Line Pull		Line Speed		Motor Current
lb	kg	fpm	mpm	amps @ 12 V
0	0	18	5.5	22
1000	454	14.8	4.5	82
2000	908	12.5	3.8	145
3000	1362	10.8	3.3	225
3500	1589	9.8	3	250

PERFORMANCE: PE2.5

Line Pull		Line Speed		Motor Current
lb	kg	fpm	mpm	amps @ 12 V
0	0	23	7	35
1000	454	18	5.5	100
1500	681	16	4.8	128
2000	908	14	4.2	150
2500	1135	12	3.6	190



HYDRAULIC WINCHES



CONSTRUCTION

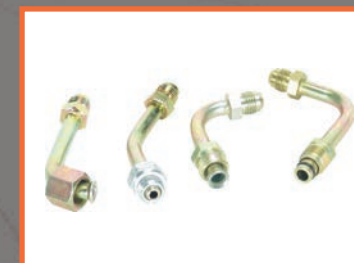
Internally sealed winches with O rings in every critical spot make all our hydraulics completely element proof. Six seals keep any contaminants outside. Using the relief valve as a built in governor, it is impossible to overload or overwork the pump of your vehicle's power steering, the source of the winch's legendary power.

INSTALLATION

Vehicle specific adapter kits are required for most applications to connect the winch to the pump (see page 34)



34 SERIES ADAPTER KIT



35 SERIES ADAPTER KIT

LEGENDARY POWER

The serious off roaders dream winch, Mile Marker hydraulics utilize the power steering pump as the power source instead of a battery. The result? Continuous winching. Quality winching. Uninterrupted winching. Legendary power.

CHOOSE THE WINCH FOR YOU

The H and HI series winches run off the power steering of standard vehicles. Choose among 9,000, 10,500 and 12,000 pound capacity winches. For other applications, see our low pressure winch, tow truck winch, and 18K heavy duty and wrecker winch.



BUILT TO LAST



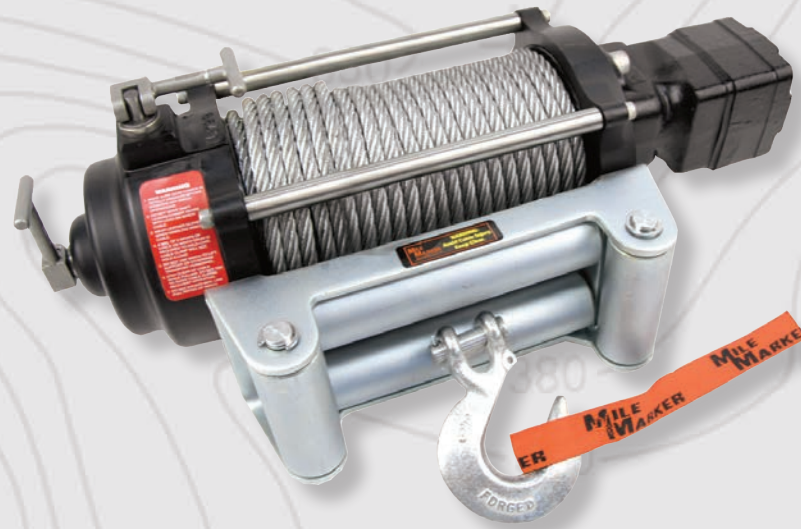
CONTINUOUS USE



ELEMENT PROOF

H SERIES

Mile Marker's H Series hydraulics mount to either the front or the rear of the vehicle as a permanent or detachable winch. The system is independent from its solenoid control valve to allow for these mounting options. Most applications require a 34 series kit to fit the winch to your vehicle. The kit includes important components for installation.



H9000

9,000 LB (4082 kg)
70-50080C

H10500

10,500 LB (4763 kg)
70-50050C

H12000

12,000 LB (5443 kg)
70-52000C

FEATURES:

- 100% Duty Cycle
- 2 Speed
- Power Steering Pump Powered
- Submersible
- Stainless Steel Tie Bars and Fasteners
- Ductile Iron Body (H12000 Only)
- Reversible Mounting (H9000 & H10500 Only)
- 3 Mounting Positions (H12000 Only)
- Mechanical Lock
- Corrosion Resistant
- 100' Steel Cable
- Roller Fairlead
- Free Spooling

SPECIFICATIONS:

Gear Train	Planetary
Gear Ratio	6:1
Motor	9k: 14 cubic inch; 10.5k: 17.9 cubic inch; 12k: 19.5 cubic inch 24V available
Remote	Not included
Steel Cable	3/8" X 100' (9.5 mm X 30.5 m)
Dimensions (LxWxH)	22.5" X 6.5" X 7.8" (571.5 mm X 165.1 mm X 198.1 mm)
Drum Size Diameter X Length	2.5" X 9" (63.5 mm X 228.6 mm)
Power Steering Min. Requirements	3.5 GPM @ 1500 psi (13.2 l/min @ 103.4 bars)
Net Weight	H9000/H10500: 93 lbs (42.2 kgs) H12000: 101 lbs (45.8 kgs)
Bolt Pattern	4 bolt pattern, 4.5" X 10" (114.3 mm X 254 mm)

PERFORMANCE:

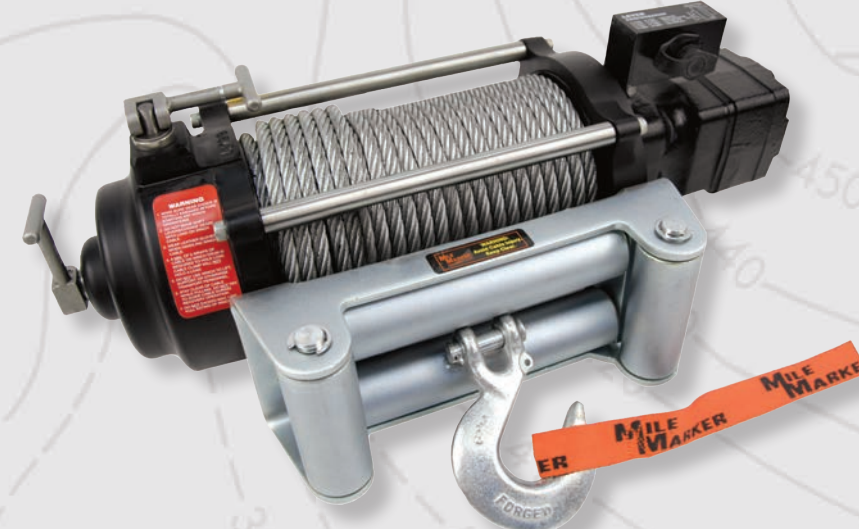
9000 3.5 GPM @ 1500 PSI (13.25 L/m @ 103.4 bars)				
Layer of Cable	1	2	3	4
Line speed - low gear (FPM)	6.1	7.4	8.8	10.5
Rated pull (lbs.)	9,000	7,300	6,200	5,400
Line speed - high gear (FPM)	33.6	38.4	48	57
Rated pull (lbs.)	1,500	1,200	1,000	900
10500 3.5 GPM @ 1500 PSI (13.25 L/m @ 103.4 bars)				
Layer of Cable	1	2	3	4
Line speed - low gear (FPM)	5.6	6.4	7.4	8.5
Rated pull (lbs.)	10,500	8,500	7,400	6,400
Line speed - high gear (FPM)	31	36	42	48
Rated pull (lbs.)	1,600	1,300	1,200	1,000
12000 3.5 GPM @ 1500 PSI (13.25 L/m @ 103.4 bars)				
Layer of Cable	1	2	3	4
Line speed - low gear (FPM)	5.6	6.4	7.4	8.5
Rated pull (lbs.)	12,000	9,400	8,200	7,000
Line speed - high gear (FPM)	31	36	42	48
Rated pull (lbs.)	2,000	1,550	1,350	1,150



34 SERIES ADAPTER KIT MAY BE REQUIRED
SEE APPLICATION CHART ON PAGE 34

HI SERIES

The Mile Marker HI Series hydraulic winch is designed for permanent mounting on the front of your vehicle. The solenoid control valve is integrated into the winch. A 35 Series adapter kit is needed to adapt to your power steering system.



HI9000

9,000 LB (4082 kg)
75-50085C

HI10500

10,500 LB (4763 kg)
75-50050C

HI12000

12,000 LB (5443 kg)
75-52000C

FEATURES:

- 100% Duty Cycle
- 2 Speed
- Power Steering Pump Powered
- Submersible
- Stainless Steel Tie Bars and Fasteners
- Ductile Iron Body (HI12000 Only)
- Reversible Mounting (HI9000 & HI10500 Only)
- 3 Mounting Positions (HI12000 Only)
- Mechanical Lock
- Corrosion Resistant
- 100' Steel Cable
- Roller Fairlead
- Free Spooling
- Handheld Remote Control

SPECIFICATIONS:

Gear Train:	Planetary
Gear Ratio	6:1
Motor	9k: 14 cubic inch; 10.5k: 17.9 cubic inch; 12k: 19.5 cubic inch 24V available
Remote	Not included
Steel Cable	3/8" X 100' (9.5 mm X 30.5 m)
Dimensions	21.9" X 7.8" HI9000 22.1" X 7.8" HI10500 22.5" X 7.8" HI12000
Drum Size Diameter X Length	2.5" X 9" (63.5 mm X 228.6 mm)
Power Steering Min. Requirements	3.5 GPM @ 1500 psi (13.2 l/min @ 103.4 bars)
Net weight	HI9000/HI10500: 103 lbs (47 kgs) HI12000: 110 lbs (50 kgs)
Bolt Pattern	4 bolt pattern, 4.5" X 10" (114.3 mm X 254 mm)

PERFORMANCE:

9000 3.5 GPM @ 1500 PSI (13.25 L/m @ 103.4)				
Layer of Cable	1	2	3	4
Line speed - low gear (FPM)	6.1	7.4	8.8	10.5
Rated pull (lbs.)	9,000	7,300	6,200	5,400
Line speed - high gear (FPM)	33.6	38.4	48	57
Rated pull (lbs.)	1,500	1,200	1,000	900
10500 3.5 GPM @ 1500 PSI (13.25 L/m @ 103.4)				
Layer of Cable	1	2	3	4
Line speed - low gear (FPM)	5.6	6.4	7.4	8.5
Rated pull (lbs.)	10,500	8,500	7,400	6,400
Line speed - high gear (FPM)	31	36	42	48
Rated pull (lbs.)	1,600	1,300	1,200	1,000
12000 3.5 GPM @ 1500 PSI (13.25 L/m @ 103.4)				
Layer of Cable	1	2	3	4
Line speed - low gear (FPM)	5.6	6.4	7.4	8.5
Rated pull (lbs.)	12,000	9,400	8,200	7,000
Line speed - high gear (FPM)	31	36	42	48
Rated pull (lbs.)	2,000	1,550	1,350	1,150



35 SERIES ADAPTER KIT IS REQUIRED
SEE APPLICATION CHART ON PAGE 34

18K ONE SPEED HYDRAULIC WINCH

Our most powerful hydraulic winch, the 18K winch is designed for heavy duty, commercial, utility and wrecker applications.



70-58010C

SPECIFICATIONS:

Gear Train	Planetary, hardened steel gear
Gear Ratio	36:01
Motor	7.6 cubic inch (124.5 cubic centimeters)
Remote	Not included
Dimensions (LxWxH)	25.8" X 8.4" X 9.6" (656 mm X 214 mm X 245 mm) 23.8" X 8.4" X 9.6" (604 mm X 214 mm X 245 mm)
Steel Cable	1/2" X 75' (12.7 mm 22 m) Nominal breaking strength = 26,600 lbs
Drum Size	4" X 9.9" (102 mm x 253 mm)
Diameter x Length	4" X 7.9" (102 mm x 200 mm)
Net Weight	158.7 lbs (72 kgs)
Bolt Pattern	8 bolt pattern Outer 6.5" X 12" (165 mm X 304.8 mm) Inner 4.5" X 12" (114.3 mm X 304.8 mm) Outer 6.5" X 10" (165 mm X 254 mm) Inner 4.5" X 10" (114.3 mm X 254 mm)

FEATURES:

- Automatic Load Holding Brake
- Heavy Duty Engagement Clutch
- Submersible
- Stainless Steel Tie Bars and Fasteners
- Mechanical Lock
- Corrosion Resistant
- 75' Steel Cable
- Roller Fairlead
- Free Spooling

PERFORMANCE:

High Speed Performance Specification (max 2030 PSI or 140BAR) (max 103.4 bars)

LAYER	Rated Line Pull		Line Speed				Cable Capacity	
	lbs	kgs	fpm	mpm	fpm	mpm	ft	m
1	18000	8165	14.9	4.5	17.4	5.3	21	6.4
2	14727	6680	18.2	5.5	21.3	6.5	46	14
3	12461	5652	21.5	6.6	25.6	7.8	75	22.9

First Layer Performance

Line Load	Pressure drop at 15 GPM (56.8.1 L/m)				Pressure drop at 20 GPM (75.71 L/m)	
	lbs	kgs	psi	bar	psi	bar
0	0	113	7.8	592	40.8	
3000	1361	345	23.8	763	52.6	
6000	2722	599	41.3	940	64.8	
9000	4082	867	59.8	1123	77.4	
12000	5443	1137	78.4	1311	90.4	
15000	6804	1446	99.7	1506	103.8	
18000	8165	1617	11.5	1706	117.6	

LOW PRESSURE WINCH

Jeeps, mid sized trucks and sport utility vehicles – we designed a winch for you. If your vehicle produces less than 1500 PSI, you can still harness the legendary power of the Mile Marker hydraulic winch without upgrading the power steering equipment. The low pressure winch will pull 9,100 pounds at 1100 PSI.



75-50058C

FEATURES:

- 2 Speed
- Integrated Solenoid Valve
- Submersible
- Stainless Steel Tie Bars and Fasteners
- Mechanical Lock
- Corrosion Resistant
- 100' Steel Cable
- Roller Fairlead
- Freespooling
- Handheld Remote Control

SPECIFICATIONS:

Gear Train	Planetary
Gear Ratio	6:1
Motor	19.5 cubic inch
Remote	Illuminated joystick remote, 12'
Steel Cable	3/8" X 100' (nominal 14,400 lbs) (9.5 mm X 30.5 m)
Drum Size: Diameter X Length	2.5" X 9" (63.5 mm X 228.6 mm)
Net Weight	103 lbs (47 kgs)
Bolt Pattern	4 bolt pattern, 4.5" X 10" (114.3 mm X 254 mm)

PERFORMANCE:

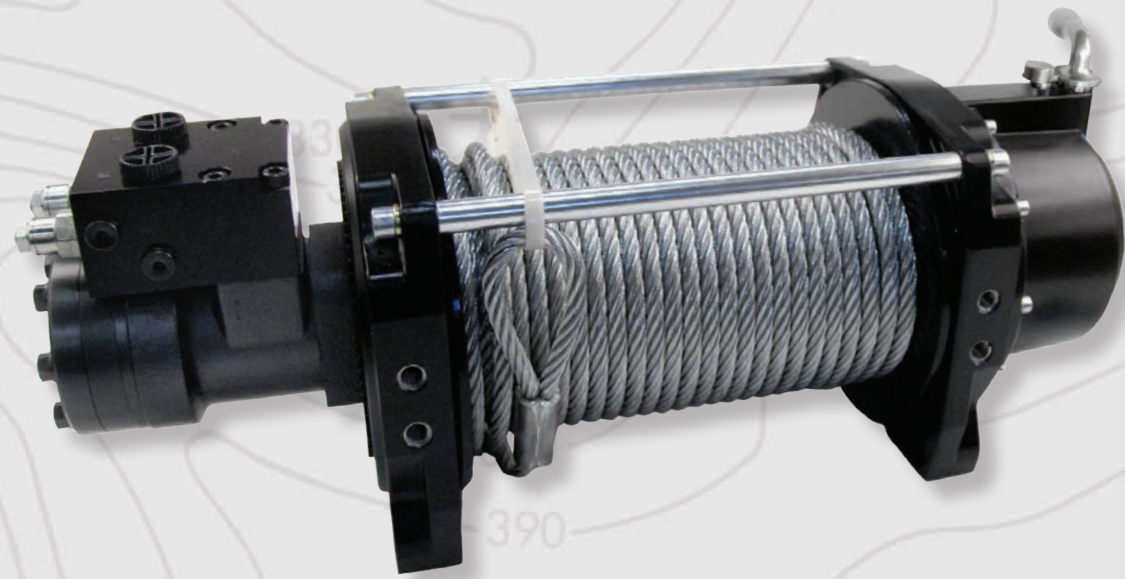
LAYER	LOAD	PSI	GPM
1	6700	900	3
1	7800	1000	3
1	9100	1100	3
1	10100	1200	3
1	11000	1300	3
1	12000	1400	3



35 SERIES ADAPTER KIT IS REQUIRED
SEE APPLICATION CHART ON PAGE 34

TOW WINCH

HS9000



70-59000C



SPECIFICATIONS:

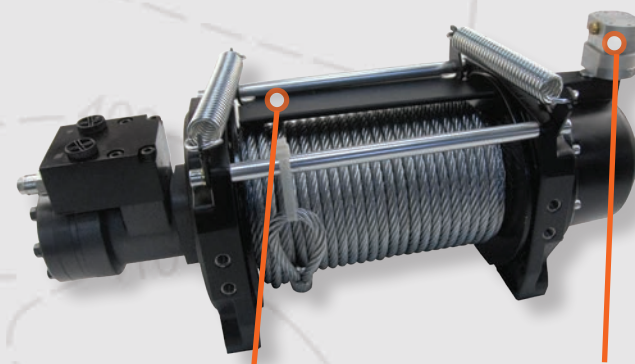
Gear Train	Planetary, hardened steel gear
Gear Ratio	27:1
Motor	4.9 cubic inches (80.6 cubic centimeters)
Dimensions (LxWxH)	23.6" X 8.4" X 9.2" (600 mm X 214 mm X 235 mm)
Steel Cable	3/8" X 100' (9.5 mm X 30.5 m) (14,400 breaking strength)
Drum Size Diameter/Length	4" X 9.9" (102 mm X 253 mm)
Net Weight	78 lbs
Bolt Pattern	8 bolt pattern Outer 6.5" X 12" (165 mm X 304.8 mm) Inner 4.5" X 12" (114.3 mm X 304.8 mm)
Duty Cycle	Intermittent per SAE J706 section 6.2 565' (172 m)

FEATURES:

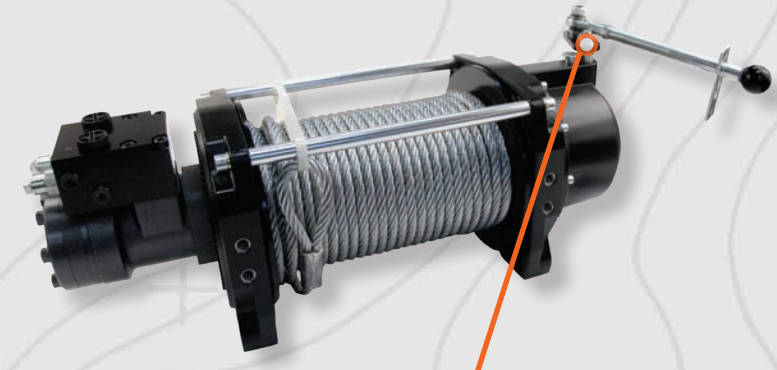
- Automatic Load Holding Brake
- Heavy Duty Engagement Clutch
- Submersible
- Mechanical Lock
- Corrosion Resistant
- Clockwise & Counter Clockwise Rotation
- Cable Tension Plate Sold Separately
- Clutch Kits Sold Separately
- Free Spooling

PERFORMANCE:

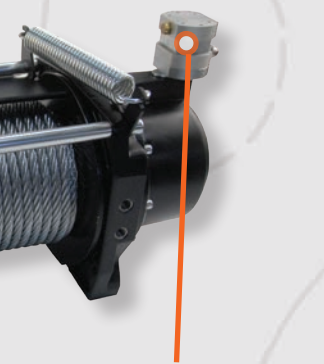
	Line Pull		Line Speed		
	lb	kg	fpm	mpm	flow L/m
0	0	0	27.3	8.3	59
4000	2270	2270	25.5	7.8	56.3
8000	4086	4086	26.2	8	56.2
9000	5448	5448	26.2	8	55.6



Winch Cable Tension Plate



Remote Manual Clutch Kit



Remote Pneumatic Clutch Kit

Winch Cable Tension Plate: 70591
 Remote Pneumatic Clutch Kit: 70593
 Remote Manual Clutch Kit: 70592

RECOVERY GEAR

Choose the right kit for you.
You can count on Mile Marker recovery gear to overcome the elements.



Off Road Recovery Kit: 19-00100

Everything you need to get out of a pinch. In the event of a snap, our winch dampener directs the cable to the ground and keeps you safe. Doubling as the bag, it houses a 15' recovery strap, gloves, 20K snatch block with grease fitting, and two powder coated shackles.



ATV/UTV Recovery Kit: 19-00105

Push your ATV or UTV to the limits. Includes: two powder coated shackles, gloves, 8K snatch block, and two 8 ft. recovery straps. Housed in a durable carrying case with strap.



Soft Shackle Kit
19-52043

Soft Shackle Kit contains a black, non-woven bag, 1 dark gray soft (synthetic rope) shackle with a black nylon sleeve and an additional sleeve replacement.



Wireless Remote
7076

Effortlessly control your winch with the Plug & Play Wireless Remote. No wires to cut, weatherproof, adaptable to most winch brands



Recovery Ring
60300

Increase the pulling power for your winch with our recovery ring, made out of Aluminum 7075 and 30,000 lbs rated load.



Aluminum Hitch Receiver With D-Ring
60-65000C

Zinc coated, forged cast, aluminum hitch receiver fits standard Class III hitches with 2" receivers. Includes a 4-way hole system and a 3/4" orange shackle to meet any mounting needs.



Orange Powder Coated Shackles
3/4" Shackle 60-50134
5/8" Shackle 60-50158

Orange powder coated shackles. Working load limit of 4.75 tons for the 3/4" shackles and 3.2 tons for the 5/8" shackles.



Recovery Gloves
(XL) 30-19-G2 (M) 30-19-G5
(L) 30-19-G4 (SM) 30-19-G6

Protect your hands from cable burns and rope burns. Gloves feature cowhide palms, with SBR padding and neoprene lines for breathability and functional dexterity.



Industrial Snatch Block 30K
60-50185

The Industrial Grade Snatch Block is rated up to 30,000 pounds of pull. Reduces the load on the winch by half to enable you to retrieve loads up to double your winch's capacity. Also allows winching from various angles. Features grease fitting and brass bushing.



Heavy Duty Snatch Block 30K
60-50083

The Heavy Duty Snatch Block is rated up to 30,000 pounds. Reduces the load on the winch by half to enable you to retrieve loads up to double your winch's capacity. Also allows winching from various angles. Features grease fitting and brass bushing.



ATV/UTV Snatch Block 8K
60-50105

This snatch block is rated up to 8,000 pounds. Reduces the load on the winch by half to enable you to retrieve loads up to double your winch's capacity. Also allows winching from various angles.



Recovery Strap 15' & 30'
3" X 15' 19315
3" X 30' 19330

15' and 30' Recovery Straps rated to 30,000 pound capacity.



ATV Recovery Strap 8'
1" X 8' 19108

8' Recovery Strap rated to 7,200 pounds, with reinforced eyelet on each end.



Tree Saver Strap 6'
4" X 6' 19406

Be conscious of your environment with this 6' Tree Saver strap. This Tree Saver Strap is rated to 50,000 pounds.



Locking Hitch Pin
90-06496

Our Locking Hitch Pin guarantees secure towing with top-notch materials and a robust lock.



EXCLUSIVE NORTH AMERICAN DISTRIBUTOR

SABER

O F F R O A D



5,512 - 8,819 LBS

8K KINETIC RECOVERY ROPE
SBR-8KRR



8818 - 13,227 LBS

12K KINETIC RECOVERY ROPE
SBR-12KRR



10-TON RATED

22,000 LBS HDX TECHNORA
BOUND SOFT SHACKLE - LONG
SBR-10KBSSDL



12-TON RATED

26,500 LBS HDX TECHNORA
BOUND SOFT SHACKLE
SBR-12KT8SSB



20-TON RATED

44,000 LBS HDX SABERPRO
TECHNORA BOUND SOFT SHACKLE
SBR-20KT8SSB



15-TON RATED

33,000 LBS SABERPRO®
UTILITY ROPE
SBR-15URB



27,557 LBS WORKING LOAD

EZY-GLIDE RECOVERY RING
SBR-12BRB



27,557 LBS WORKING LOAD

POLISHED ALLOY EZY-GLIDE
RECOVERY RING
SBR-12RR



WEIGHS JUST OVER 6.6 LBS

LIGHTWEIGHT WINCH
RECOVERY KIT
SBR-WRK1



18-TON RATED

ALLOY WINCH SHACKLE PRO
BLACK
SBR-AWSPROBLK



18-TON RATED

ALLOY WINCH SHACKLE PRO
JUNGLE GREEN
SBR-AWSPROCJG



20-TON RATED

ALLOY WINCH SHACKLE SHORT
BLACK
SBR-AWSSCBLK



20-TON RATED

ALLOY WINCH SHACKLE SHORT
JUNGLE GREEN
SBR-AWSSCJG



22-TON RATED

THE WEDGE
BLACK
SBR-WDGCBLK



UPDATED DESIGN

6061 ALUMINIUM SPLICED WINCH
THIMBLE - BLACK
SBR-SWT2CBLK



LESS STRESS ON ROPES

6061 ALUMINIUM CHUNKY HAWSE
FAIRLEAD - BLACK
SBR-FLC2BLK



MOUNTING SYSTEMS

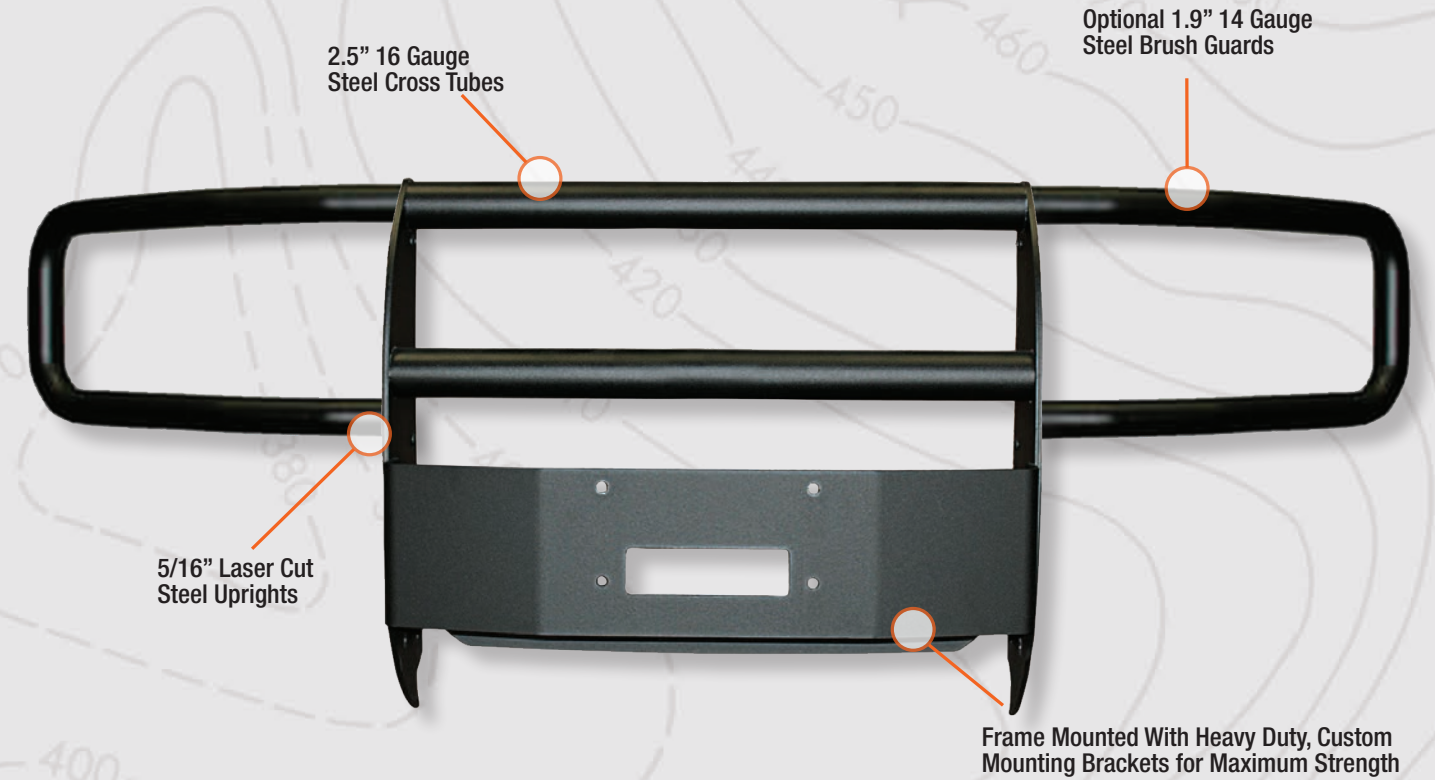
ATV/UTV MOUNTS

The high quality choice for ATV and UTV winch mounts. Heavy duty steel construction and powder coating finishes enhance durability for these made to order custom mounts.



TRUCK & SUV MOUNTS

Protect your vehicle and your winch with our custom built Xtreme II grille guards. All incorporate a 1/4 inch thick mounting steel plate and can accommodate up to a 15,000 pound Mile Marker winch. Optional "wraparound" brush guards can be added to finish out the protection. See chart on the next page for vehicle specific application guide.



Mount (With Brush Guard)

CHANNEL MOUNTS

TRUCK/SUV MOUNTING SYSTEMS

The simple mounting solution for your vehicle, these mounts can be welded or bolted to adapt to almost any application. All are made from 1/4" high quality steel and finished with a black powder coat.



UNIVERSAL CHANNEL MOUNT

50-87283



TRAILER MOUNT

60-50015

RECEIVER MOUNTS



DETACHABLE MOUNTING SYSTEMS

Mile Marker's receiver mounts are detachable, providing versatility needed to move winches from back to front or from vehicle to vehicle. Simply add quick disconnect wiring and you're ready to go (see page 31 for quick disconnect kits).



FOLDABLE WINCH RECEIVER MOUNT

60-06496



ATV/UTV RECEIVER MOUNT

51-4677

WINCH ACCESSORIES

QUICK DISCONNECT KITS

Adding a quick disconnect kit allows for easy winch removal. Move your winch from the front to the back of your vehicle, or switch vehicles, whenever you need. Best used in conjunction with a receiver style mount.

JEEP/TRUCK/SUV



Electric Front Quick Disconnect Kit
76-93-54000



Electric Rear Quick Disconnect Kit
76-93-53000



ATV/UTV Front Quick Disconnects
93-53106



ATV/UTV Rear Quick Disconnects
10' 93-53105 / 12' 93-53108

POWERSPORTS



Hydraulic Front Quick Disconnect Kit
70-54000



Hydraulic Rear Quick Disconnect Kit
70-53000

HYDRAULIC



Replacement Solenoid
PE2.5 & PE3.5 77-50105-37
Full size winches 77-50141W-31



Roller Fairlead Cover 8402
This impact resistant cover protects your Mile Marker WH-10 roller fairlead from weather and debris while adding a finished look to the front of your vehicle.



Neoprene Winch Covers
Wraps snugly around your winch for all weather protection
Fits most ATV winches 8505
Fits most full size winches 8506



Roller Fairlead WH-18
Works with 18,000 lb. winches



Roller Fairlead WH-10
Universal roller fairlead works with 8000-15000 pound winches. Also fits winch mount bumpers.



For winches 5000 pounds ONLY WH-5
For winches 4500 pounds ONLY WH-4
For winches 2500-3500 pounds WH-2
For winches 2000 pounds ONLY WH-1



Aluminum Hawse Fairlead
For use with synthetic rope (ATV/UTV) 19-52000 (PE5000) 19-52005 (Full Size) 19-53000



Handlebar Remote 93-50106E
For use with Mile Marker ATV/UTV winches. Adjustable mount provides accessible control to your trail blazing ATV.



Electric & Hydraulic Remote 77-50141W-50
For use with Mile Marker electric winches with standard solenoids.



Winch Shackle Mount 60-12166
Upgrade your winch with our lightweight Shackle Mount. Perfect for Jeep/Truck/SUV winches, it replaces the conventional hook. Boost performance!



Aluminum Winch Shackle Mount 60-12100
Our latest Aluminum Shackle Mount fits synthetic rope and steel cable 5/16" and 3/8". It works with roller and hawse fairleads.



Synthetic Rope
19-52038-100C *
3/8" X 92' Gray Rope Assembly (16,200 lbs. Min Break Force)
19-52516-100C *
5/16" X 92' Gray Rope Assembly (11,700 lbs. Min Break Force)
19-52014-50
1/4" X 50' Gray Rope Assembly (7,740 lbs. Min Break Force)
19-52316-50
3/16" X 50' Orange Rope Assembly (5,440 lbs. Min Break Force)



Replacement Cable
5/16" X 100' 19-50010C
3/8" X 100' 19-50020C
Steel cable with removable hook.



2000 lb. Winch Remote
76-50100-20
Fits most utility 12V winches

Attached hook included *

TRANSFER CASE CONVERSION KITS

For owners of full time 4WD vehicles, convert from 4WD to 2WD effortlessly. Conversion kits reduce wear and tear on your drivetrain, saving you money at the gas pump and providing years of trouble free service.



FORD & GM 203 NEW PROCESS

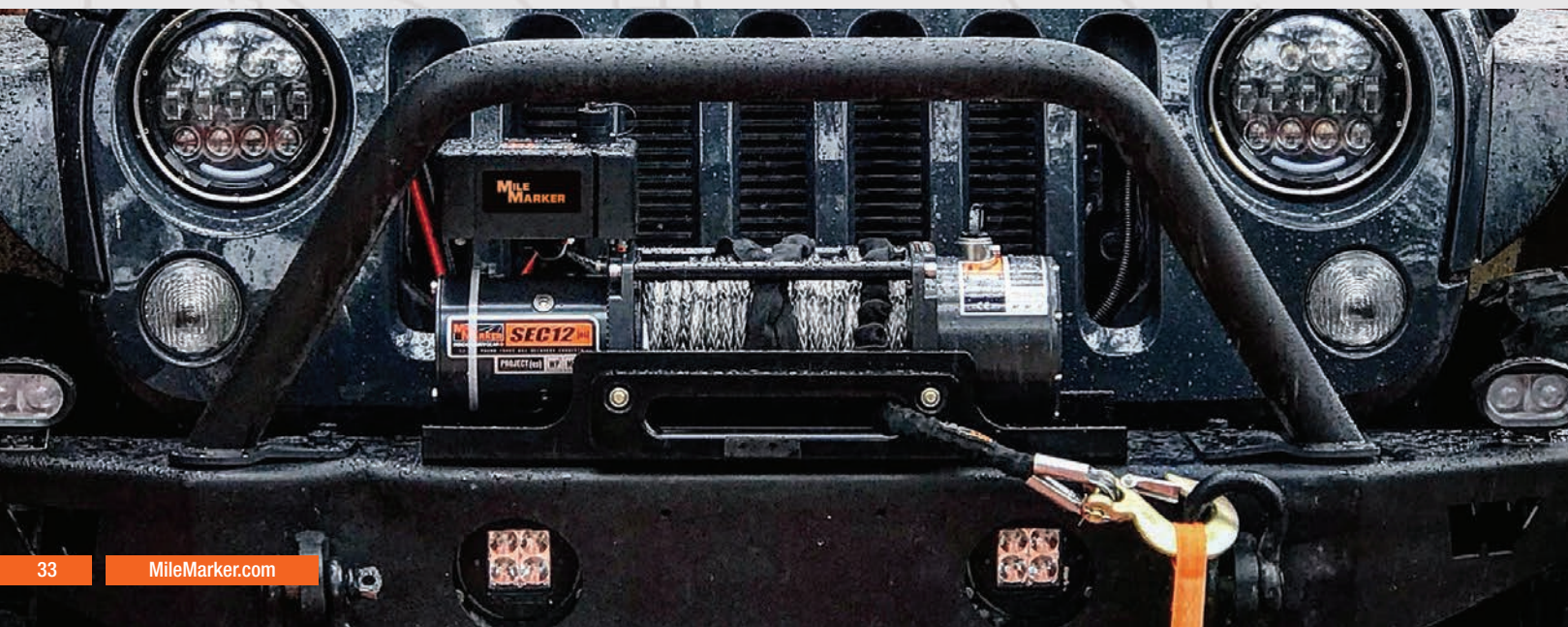
203 Transfer case without hubs **501**

With premium 1/2 Ton hubs (also fits '78-'79 3/4 Ton) **502**

With premium locking hubs Fits '73-'77 3/4 Ton **503**

With premium locking hubs 1 Ton GM, Ford **505**

Bearing kit **701**



VEHICLE ADAPTER & VALVE KITS APPLICATION CHART

34 KIT FOR H SERIES WINCHES

REMOTE SOLENOID VALVE

Includes: Remote control with 12' lead, all hoses and fittings, remote solenoid activated control valve, adapter kit for power steering pump (vehicle specific). Rated 7 gpm.

35 KIT FOR HI SERIES WINCHES

INTEGRATED SOLENOID VALVE

Adapts power steering pump to HI Series winches. Includes vehicle specific power steering pump fittings and adapters.

PART NUMBER:	APPLICATION:
AM GENERAL	
34-5010-17	Valve Kit - H1 (civilian)
CHEVY/GMC/H2	
34-5020-14	Valve Kit - '72-'87 GM C/K, '88-'91 RV Series
34-5010-15	Valve Kit - '88-'98 GM C/K, '99 Tahoe/Suburban Silverado, H2
34-5020-16	Valve Kit - '12-'16 GM 2500 & 3500 HD
34-5010-13	Valve Kit - GM S Series with 4.3L Vortec
DODGE	
34-5020-22	Valve Kit - Dodge Dakota 6 & 8 cylinder
34-5010-20	Valve Kit - Dodge Dakota 4 cylinder
34-5020-23	Valve Kit - '72-'93 Dodge Full Size
34-5020-24	Valve Kit - '94 Dodge Full Size
FORD	
34-5010-09	Valve Kit - '97 Ford F-150 Expedition
34-5020-35	Valve Kit - '05 Ford F-250/F-350/F-450/F-550 Excursion
34-5020-37	Valve Kit - '11 Ford F-250/F-350/F-450/F-550 Excursion
34-5010-34	Valve Kit - '99-'04 Ford F-250/F-350/F-450/F-550 Excursion
34-5020-06	Valve Kit - '72-'77 Ford Full Size
34-5020-07	Valve Kit - '78-'96 Ford Full Size, '97-'98 F-250 & F-350
34-5010-07H	Valve Kit - '78-'98 Ford Full Size (with hydro boost)
34-5020-04	Valve Kit - '83-'92 Ford Ranger, '90-'94 Explorer
34-5020-05	Valve Kit - '93-'96 Ford Ranger, '95-'96 Explorer
34-5020-10	Valve Kit - '02 Ford Ranger/Sport Trac
34-5020-38	Valve Kit - Ford '12 Super Duty
34-5020-38H	Valve Kit - Ford '12 Super Duty with hydro boost
INTERNATIONAL	
34-5010-18	Valve Kit - International Truck & Scout
JEEP	
34-5010-50	Valve Kit - Jeep Cherokee
34-5020-51	Valve Kit - Jeep CJ Scrambler
34-5020-55	Valve Kit - Jeep YJ, TJ, JK & Rubicon
LAND ROVER	
34-5010-45	Valve Kit - Land Rover Discovery
NISSAN	
34-5010-30	Valve Kit - '86-'93 Nissan (except Pathfinder)
34-5010-31	Valve Kit - '91-'95 Nissan Pathfinder, '94-'96 Truck
TOYOTA	
34-5020-41	Valve Kit - '79-'02 Toyota
MEDIUM DUTY TRUCKS	
34-5010-80	Valve Kit - (Comes with size 8 hose, pressure relief)

PART NUMBER:	APPLICATION:
35-5020-17	Adapter Kit - AM General Hummer H1
35-5020-81	Adapter Kit - Chevy 5500
35-5020-16	Adapter Kit - '12 GM 2500 & 3500 HD
35-5020-15	Adapter Kit - GM Dodge International Chevrolet H2
35-5020-22	Adapter Kit - '03 & up Durango
35-5020-07	Adapter Kit - Ford up to '98
35-5020-34	Adapter Kit - '97-'04 Ford F-150, '99-'04 Ford
35-5020-10	Adapter Kit - Ford Sport Track Ford Ranger
35-5020-51	Adapter Kit - Jeep
35-5020-45	Adapter Kit - Land Rover
35-5020-31	Adapter Kit - Nissan
35-5020-41	Adapter Kit - Toyota
35-5020-38H	Adapter Kit - '12 Ford Super Duty with hydro boost
35-5020-38	Adapter Kit - '12 Ford Super Duty
35-5020-37	Adapter Kit - '11 Ford Super Duty
35-5020-35	Adapter Kit - '05-'10 Ford Super Duty
35-5020-36	Adapter Kit - '07 Ford F-550 only



34 KIT

VEHICLE SPECIFIC APPLICATIONS



35 KIT

VEHICLE SPECIFIC APPLICATIONS

PREMIUM LOCKING HUBS

Mile Marker hubs allow you to manually lock your vehicle into 4 wheel drive and are built to last through all weather and terrain. Use the two guides to choose the right hub for your vehicle and the correct conversion kit if needed (see next page for conversion kits)



HUB SPECIFICATION GUIDE

All specifications must match exactly for hub to fit.

Part Number	Bolt Circle	# of Bolts	# of Splines	Axle O.D.	Part Number	Bolt Circle	# of Bolts	# of Splines	Axle O.D.
104		Internal	19	1.250	457	3.437	6	27	1.187
302		Internal	19	1.250	459SS		Internal	35	1.500
423	3.750	6	19	1.250	460	76	6	26	91
426	Internal	Internal	27	1.210	466	3.543	6	30	1.300
427	4.500	5	23	1.016	470	3.440	5	27	1.187
428	4.500	5	27	1.206	481	3.437	6	10	1.125
430	3.260	6	27	1.094	490	3.543	6	26	1.100
435	3.260	6	28	1.143	549	4.016	6	35	1.422
436	3.543	6	26	1.080	11034-01	3.960	8	30	1.312
449SS		Internal	30	1.312	95-37044	4.500	5	19	1.250



BUILT TO LAST



MADE FOR EXTREME TRACTION

HUB APPLICATION GUIDE

Vehicle Model/Year	Part Number	Vehicle Model/Year	Part Number	Vehicle Model/Year	Part Number
AMC/JEEP		3/4 Ton P/U w/Spline wheel hub (A,B) - ALL * 104, 302		KIA	
Cherokee '74 - '87	104, 302	3/4 Ton w/3500 Axle ex. F/T '63 - '77	423	Grand Sportage '97 - '02	460
CJ Universal '42 - '71	481	1 Ton Pickup '59 - '96 ***	449SS	Sportage '97 - '02	460
CJ Universal '72 - '86	457	1 Ton Dana 50 & 60 Axle '76 - '04 (A,B) *	449SS	MAZDA	
CJ Universal '80 - '86	470	F-150 '59 - '81(A,B) ***	104, 302	B3000 '01 - '08	426
Gladiator '74 - '87	104, 302	F-150 '82 - '96 (A,B) *	104, 302	B4000 '01 - '08	426
J10 Pickup '74 - '80	104, 302	F-250 '99 - '04	449SS	Navajo '90 - '94 (A) *	428
J20 Pickup '74 - '77	423	F-250 ex. F/T '59 - '98 ***	449SS	Pickup '94 - '97 (A) *	428
J20 Pickup '78 - '90	104, 302	F-250 '05 - '20	549	NISSAN	
Wagoneer '71 - '73	457	F-350 '88 - '98 ***	449SS	1/2 Ton P/U '85 1/2 - '89	430
Wagoneer '74 - '87	104, 302	F-350 '99 - '04	449SS	Frontier '98 - '04	435
CHEVROLET/GMC		F-350 Dana 50 & 60 Axle '76 - '04 (A,B) *	449SS	Hardbody (6 Bolt 27 Spline) '86 1/2 - '89	430
1/2 Ton Pickup (K10) '69 - '87	104, 302	F-350 '05 - '20	549	Hardbody '90 - '97	435
3/4 Ton Pickup '78 - '87	104, 302	F-450 '88 - '98 ***	449SS	Pathfinder (6 Bolt 27 Spline) '86 1/2 - '89	430
Blazer '69 - '91	104, 302	F-450 '99 - '04	449SS	Pathfinder '90 - '01	435
Chevy 3/4 Ton (K-20) Pickup '60 - '77	423	F-450 Dana 50 & 60 Axle '76 - '04 ***	449SS	Xterra '00 - '04	435
Chevy IT (K-30) Pickup '77 - '87	449SS	F-450 '05 - '20	549	All Nissan (6 Bolt 28 Spline) - ALL	435
Chevy IT Dana 50 & 60 Axle '77 - '87	449SS	F-550 '99 - '04	449SS	SUZUKI	
Jimmy '69 - '91	104, 302	F-550 '05 - '20	549	Samurai '82 - '98	436
Suburban '69 - '91	104, 302	Bronco '66 - '96 (A, B) *	104, 302	Sierra '82 - '98	436
CHRYSLER/PLYMOUTH/DODGE		Bronco II '83 - '90 (A) ***	427	TOYOTA	
1/2T W-100 P/U '57 - '68	423	Excursion '99 - '04	449SS	4 Runner '76 - '98 ***	490
1/2T W-100 P/U '69 - '93	104, 302	Explorer '90 - '94 (A) ***	428	4 Runner 4x4 Pickup '86 - '94	490
3/4 Ton W-200 Pickup except full-time 4WD - ALL		Ranger '83 - '97 (A) ***	428	Hilux '76 - '98 ***	490
	423	Ranger '98 - '00 (A) **	426	Land Cruiser '63 - '98 ***	490
1 Ton W-300 Series '76 - '89	11034-01	GEO		Land Cruiser '76 - '85	466
1 Ton Dana 50 & 60 Axle '90 - '93	449SS	Tracker (all)	436	Pickup '76 - '85	466
RAM Charger '80 - '93	104, 302	INTERNATIONAL HARVESTER		Pickup '76 - '98 ***	490
Trail Duster '80 - '93	104, 302	1/2 Ton Pickup '64 - '73	104, 302	T-100 '93 - '98	490
FORD		1/2 Ton Pickup '74 - '75	457	HEAVY DUTY	
		3/4 Ton Pickup '56 - '75	423	35 spline Dana 70 hub	459SS
		1 Ton HD. 200 with FA-20 Axle - ALL	11034-01		
		Scout '61 - '71	481		
		Scout II (ex. F/T) '72 - '80	457		
		Travel-all 1/2 Ton '64 - '73	104, 302		

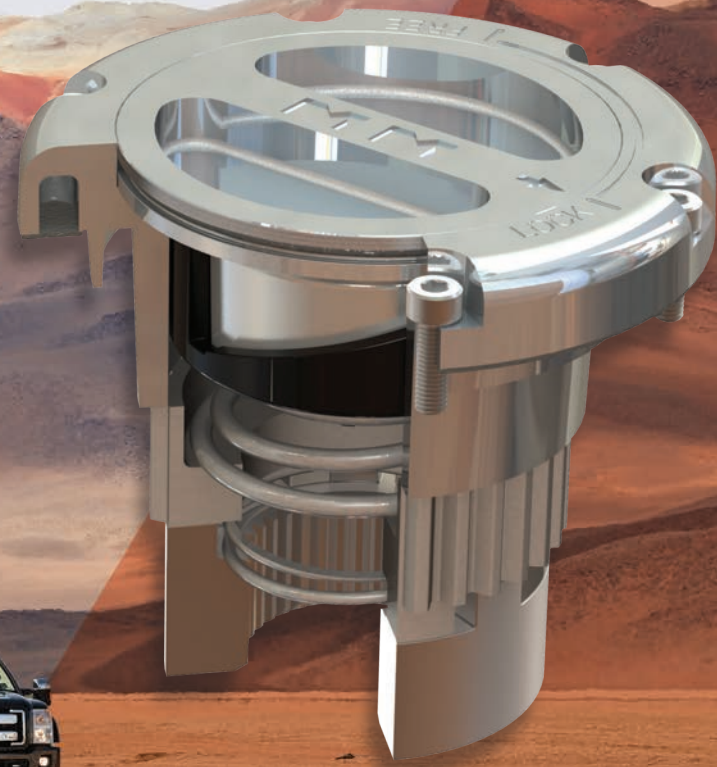
Nut Conversion Kits

104, 302	95-32720
427	95-27988
428	95-27997
449SS	95-32721
490	95-29918

- A. If OEM automatic hubs, a conversion kit is required to convert to manual hubs
- B. '73-'79 vehicles with full-time 4 wheel drive require a transfer case conversion kit
- * Nut Conversion Kit required
- ** Not required on these model years 99-04
- *** Depending on application Nut Conversion Kit may be required

MODEL 549

**FITS 2005-2022
FORD SUPER DUTY®
TRUCKS***



*F-250, F-350, F-450, and F550 4X4 models

In our recent advancement of the 549 Premium Locking Hub design, we have implemented several strategic enhancements. Specifically, we have extended the throw of the Cam mechanism, thereby amplifying its operational range. Additionally, we've transitioned to an elevated temperature-rated material for the Cam, ensuring enhanced durability and performance under demanding conditions. Also, a meticulous realignment of the two drive coupler gears has been executed, effectively optimizing their placement for the purpose of minimizing internal resistance. These measures collectively reflect our commitment to refining the locking hub's functionality and efficiency.

- Manual Locking Hubs
- Waterproof IP68 sealing
- Marine grade stainless steel hardware
- All metal cap and dial for enhanced durability
- Corrosion resistant
- Easy to install
- Limited Lifetime Warranty



MILE MARKER WARRANTY INFORMATION

For full warranty and general warranty procedure and policy visit milemarker.com/warranty



**40 YEARS
OF TRUSTED EXCELLENCE.**





2121 BLOUNT ROAD
POMPANO BEACH, FL 33069 USA

MILEMARKER.COM
INFO@MILEMARKER.COM
800.886.8647



 @MileMarkerWinch